



SAMUK A SERIES IC FORKLIFTS

SAMUK

OUR MANUFACTURER

**HYSTER YALE
MAXIMAL
FORKLIFT
CO LTD.**

ZHEJIANG, CHINA



Our entire SAMUK forklift range is manufactured at the Hyster Yale Maximal factory.

Here is some information about our manufacturer:

Established in February 2006, Hyster Yale Maximal is situated in the Lushan Industry Area. They specialises in material handling equipment, design and manufacturing. The facility covers a total floor area of 133,334m² and boasts a production capacity of 30,000 units per year. Maximal have acquired 7 national invention patents and more than 70 utility model and appearance patents.

STATE OF THE ART FACILITIES

Maximal houses the below state of the art facilities:

- Advanced Parts Processing Centre
- Robot Welding Equipment
- Automatic Hoist Conveyor Lines
- Coating Lines
- Assembly Lines
- Forklift Performance Test Lines
- Parts Test-Bed
- ERP Information Management System

M SERIES INTRODUCTION

The M Series is the first generation forklift designed by the Maximal engineering team. The M Series features a world class design thanks to advanced technologies and superior componentry. With its striking appearance, safety and design, the M Series has attracted a worldwide audience.

A SERIES INTRODUCTION

The new A Series forklifts are engineered to provide a higher level of comfort and safety for the driver. The A Series forklifts feature lower noise levels, less vibration and a higher level of safety. Every feature has been carefully designed to ensure an improved driving experience.



SIR NEVILLE BOWMAN-SHAW

We are excited to reintroduce the original budget brand forklift back into the UK market - SAMUK.

Sir Neville Bowman-Shaw built a formidable brand in SAMUK in 1996 during its original guise and we are proud to be at the forefront of bringing this fantastic brand back to the UK market place.



SAMUK

A SERIES 2.5-3.5t Gasoline/LPG forklift

General	1	Model		FGLTA25-A2W(I1)3	FGLTA30-A2W(I1)3	FGLTA35-A2W(I1)3	
	2	Optional Type		A2W(I1)3/WI3			
	3	Power Type		Gasoline/LPG			
4	Rated Capacity	kg	2500	3000	3500		
5	Load Centre	mm	500	500	500		
Characteristic&Dimension	6	Lift Height	mm	3000	3000	3000	
	7	Mast Tilt Angle	F/R	Deg	6/12	6/12	
	8	Fork	L×W×T	mm	1070×122×40	1070×125×45	1070×130×50
	9		Regulating range	mm	250-1000	250-1060	260-1060
	10	Front Overhang	mm	475	490	501	
	11	Rear Overhang	mm	544	543	623	
	12	Min. ground clearance (Bottom of mast)	Unladen	mm	130	155	155
	13		Laden	mm	120	145	145
	14	Min. ground clearance (Bottom of frame)	Unladen	mm	125	145	145
	15		Laden	mm	115	130	130
	16	Overall demensions	Overall length (without forks)		mm	2620	2704
	17		Overall width		mm	1150	1210
	18		Overall height	Overhead guard height	mm	2180	2205
	19			Mast	mm	2010	2075
	20		Mast extended height	mm	3990	4100	
	21	Min. turning radius	mm	2230	2450	2520	
	22	Wheelbase	mm	1600	1700	1700	
	23	Traction pin height from the ground	mm	250	480	480	
	24	Lowered seat to overall guard inside height	mm	1100	1100	1100	
	25	Tyre pressure	Front	MPa	0.86	0.97	0.97
26	Rear		MPa	0.86	0.79	0.79	
27	Tread	Front	mm	970	1000	1000	
28		Rear	mm	980	980	980	
29	Tire center height from the ground	Unladen	Front	mm	320	345	
30			Rear	mm	250	260	
31		Laden	Front	mm	310	330	
32			Rear	mm	265	280	
Performance	33	Speed	Travel (Unladen/Laden)		km/h	18/17.5	
	34		Lifting(Unladen/Laden)		mm/sec	550/530	
	35		Lowering(Unladen/Laden)		mm/sec	380/420	
	36	Max.Drawbar pull (Unladen/Laden)		KN	15/17		
	37	Max.Gradeability (Unladen/Laden)		%	20		
	38	Ramp parking brake		%	15		
39	Braking distance		m	≤6			
39	System pressure		MPa	20			
Weight	40	Self weight		kg	3590		
	41	Weight Distribution	Laden	Front	kg	5320	
	42			Rear	kg	770	
	43		Unladen	Front	kg	1630	
	44			Rear	kg	1960	



PSI

Type: W(I1)3
 Model: PSI2.4L(EuV+Tier4)
 Rated output: GAS48/2700 kw/rpm
 LPG 46/2700 kw/rpm
 Rated torque: 175/1500 Nm/rpm
 No. of cylinder: 4
 Bore × Stroke: 86.5 × 100mm
 Displacement: 2.35L



A SERIES 2.5t mast:

Type	Model	Max. fork height	Overall height				Free lift		Front Overhang		Tilt range		Capacity	
			Lowered	Extended		Without backrest	with backrest	FWD	BWD	load capacity at 500mm				
				Without backrest	With backrest					Single tyre	Double tyre			
			2.5t	2.5t	2.5t	mm	mm	mm	Deg	Deg	2.5t	2.5t		
mm	mm	mm	mm	mm	mm	Deg	Deg	kg	kg					
2-stage mast	M330	3300	2160	3875	4290	160	160	465	6	12	2500	—		
	M350	3500	2260	4075	4490	160	160	465	6	12	2500	—		
	M370	3700	2360	4275	4690	160	160	465	6	6	2500	—		
	M400	4000	2560	4575	4990	160	160	465	6	6	2500	—		
	M450	4500	2810	5075	5490	160	160	465	6	6	2100	2400		
	M500	5000	3060	5575	5990	160	160	465	6	6	1600	1900		
	M550	5500	3360	6075	6490	160	160	465	3	6	1200	1700		
	M600	6000	3610	6575	6990	160	160	465	3	6	900	1400		
Full free 2-stage mast	FM300	3000	2010	3590	3990	1420	1020	480	6	12	2500	—		
	FM330	3300	2160	3890	4290	1570	1170	480	6	12	2500	—		
	FM350	3500	2260	4090	4490	1670	1270	480	6	6	2500	—		
Full free 3-stage mast	TFM435	4350	2010	4867	5340	1390	1020	485	6	6	2200	2400		
	TFM450	4500	2060	5017	5490	1440	1070	485	6	6	2000	2300		
	TFM480	4800	2160	5317	5790	1540	1170	485	6	6	1700	2000		
	TFM500	5000	2260	5517	5990	1640	1270	485	6	6	1500	1800		
	TFM540	5400	2385	5917	6390	1765	1395	485	3	6	1200	1600		
	TFM600	6000	2610	6517	6990	1990	1620	485	3	6	800	1300		
	TFM650	6500	2825	7000	7490	2200	1830	485	3	6	500	1000		

A SERIES 3-3.5t mast:

Type	Model	Max. fork height	Overall height						Free lift				Front Overhang		Tilt range		Capacity			
			Lowered		Extended		Without backrest		with backrest		3t	3.5t	FWD	BWD	load capacity at 500mm					
			3t	3.5t	3t	3.5t	3t	3.5t	3t	3.5t					3t	3.5t	3t	3.5t		
			mm	mm	mm	mm	mm	mm	mm	mm	mm	mm	Deg	Deg	kg	kg	kg	kg		
2-stage mast	M200	2000	1575	1650	2640	2700	3100	3100	165	170	165	170	485	505	6	12	3000	3500	—	—
	M250	2500	1825	1900	3140	3200	3600	3600	165	170	165	170	485	505	6	12	3000	3500	—	—
	M300	3000	2075	2150	3640	3700	4100	4100	165	170	165	170	485	505	6	12	3000	3500	—	—
	M330	3300	2225	2300	3940	4000	4400	4400	165	170	165	170	485	505	6	12	3000	3500	—	—
	M350	3500	2325	2400	4140	4200	4600	4600	165	170	165	170	485	505	6	12	3000	3500	—	—
	M370	3700	2425	2500	4340	4400	4800	4800	165	170	165	170	485	505	6	6	3000	3500	—	—
	M400	4000	2625	2700	4640	4700	5100	5100	165	170	165	170	485	505	6	6	3000	3300	—	3500
	M425	4250	2750	2825	4890	4950	5350	5350	165	170	165	170	485	505	6	6	2850	3200	3000	3500
	M450	4500	2875	2950	5140	5200	5600	5600	165	170	165	170	485	505	6	6	2600	2900	2800	3100
	M500	5000	3125	3200	5640	5700	6100	6100	165	170	165	170	485	505	6	6	2100	2400	2400	2750
	M550	5500	3425	3500	6140	6200	6600	6600	165	170	165	170	485	505	3	6	1700	1800	2200	2400
	M600	6000	3675	3750	6640	6700	7100	7100	165	170	165	170	485	505	3	6	1300	1400	2000	2200
Full free 2-stage mast	FM250	2500	1825	1900	3150	3180	3600	3600	1175	1220	725	800	495	515	6	12	3000	3500	—	—
	FM300	3000	2075	2150	3650	3680	4100	4100	1425	1470	975	1050	495	515	6	12	3000	3500	—	—
	FM330	3300	2225	2300	3950	3980	4400	4400	1575	1620	1125	1200	495	515	6	12	3000	3500	—	—
	FM350	3500	2325	2400	4150	4180	4600	4600	1675	1720	1225	1300	495	515	6	6	3000	3500	—	—
	FM370	3700	2425	2500	4350	4380	4800	4800	1775	1820	1325	1400	495	515	6	6	3000	3500	—	—
FM400	4000	2625	2700	4650	4680	5100	5100	1975	2020	1525	1600	495	515	6	6	3000	3300	—	3500	
Full free 3-stage mast	TFM435	4350	2075	2150	4950	4990	5450	5450	1475	1510	975	1050	505	520	6	6	2800	3100	2900	3350
	TFM450	4500	2125	2200	5100	5140	5600	5600	1525	1560	1025	1100	505	520	6	6	2500	2800	2700	3000
	TFM480	4800	2225	2300	5400	5440	5900	5900	1625	1660	1125	1200	505	520	6	6	2250	2500	2450	2750
	TFM500	5000	2325	2400	5600	5640	6100	6100	1725	1760	1225	1300	505	520	6	6	2100	2300	2300	2600
	TFM540	5400	2450	2525	6000	6040	6500	6500	1850	1885	1350	1425	505	520	3	6	1650	1800	2100	2300
	TFM600	6000	2675	2750	6600	6640	7100	7100	2075	2110	1575	1650	505	520	3	6	1200	1300	1900	2100
	TFM650	6500	2890	2965	7100	7100	7600	7600	2280	2290	1790	2865	505	520	3	6	700	800	1300	1500

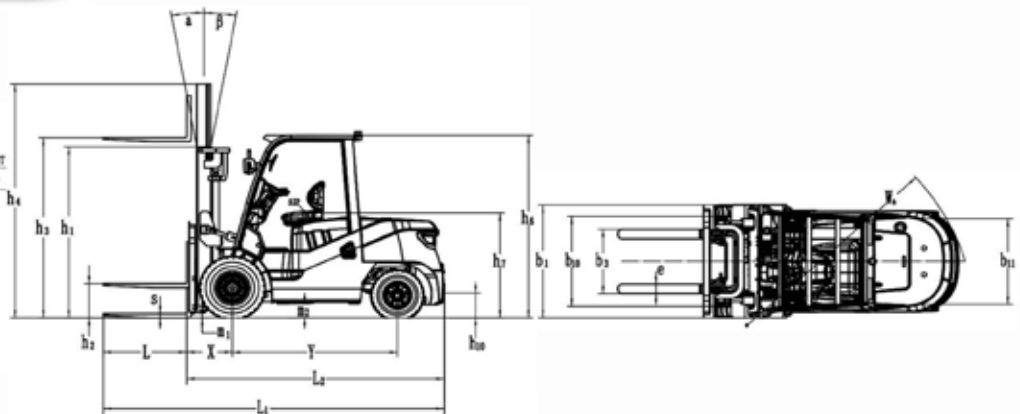
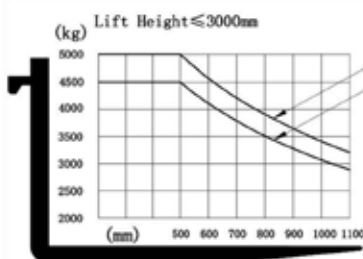
A series 4-Compact 5T LPG forklift

Distinguishing mark	1	Model		FGLTA45	FGLTA50	
	2	Type		Gasoline/LPG	Gasoline/LPG	
	3	Optional Type		W(J1)3	W(J1)3	
	4	Load capacity		kg	5000	
	5	Load centre		mm	500	
	6	Load distance		mm	575	
	7	Wheelbase		mm	2100	
Weight	8	Unladen weight		kg	6500	
	9	Axle loading	laden	Front	kg	9766
	10		Rear	kg	1234	
	11	Unladen	Front	kg	2837	
12	Rear		kg	3663		
Tyres, chassis	13	Tyres: L = pneumatic, V = cushion, SE = superelastic		L	L	
	14	Tyre	Front	300-15-18PR	300-15-18PR	
	15		Rear	7.00-12-12PR	7.00-12-12PR	
	16	Number of wheels, front/rear (X = driven)		2X2	2X2	
	17	Track width	Front	mm	1190	
	18		Rear	mm	1130	
19	Mast tilt angle		F/R	Deg	6/12	
Dimensions	20	Height of mast	lowered	mm	2250	
	21		extended	mm	4260	
	22	Free lift height		mm	150	
	23	Lift height		mm	3000	
	24	Overall dimensions	overhead guard height	mm	2250 (2400)	
	25		Seat height	mm	1350	
	26		Towing coupling height	mm	340	
	27		Overall length	mm	4280	
	28		Length to face of forks	mm	3210	
	29		Overall width	mm	1490	
	30	Fork size (ISO2331)	LxWxT	mm	50/150/1070	
	31	Fork carriage width (DIN 15173, Class III A/II B)		mm	1380	
	32	Ground clearance	bottom of mast	mm	155	
	33		wheelbase centre	mm	186	
34	Working aisle width with pallet(Ast)*	1000 x 1200 crossways	mm	4625		
35		800 x 1200 crossways	mm	4425		
36	Outer turning radius		mm	2850		
Performance data	37	Speed	Travel (Unladen/laden)	km/h	24/25	
	38		Lifting (Unladen/laden)	mm/s	0.53/0.56	
	39		Lowering (Unladen/laden)	mm/s	0.48/0.50	
	40	Max. Drawbar pull (Unladen/laden)		KN	30/23	
	41	Max. Gradeability (Unladen/laden) @ 1.6km/h		%	22/25	
Additional data	42	Service brake		hydraulic	hydraulic	
	43	Operating pressure (For attachments)		MPa	19.5	
	44	Fule tank	capacity	100	100	
	45	Towing coupling	type DIN 15170	PIN	PIN	



KUBOTA

Type WJ1J3
 Model: WG3800 (Eu V)
 Rated output: 54.6 kw/ 2400 rpm
 Rated torque: GAS 246.8 N m/ 1400 rpm
 PG 271.4 N m/ 1200 rpm*
 No. of cylinder: 4
 Bore x Stroke: 100 x 120mm
 Displacement: 3.769L
 Range: A series 4.0- x5.0 ton/LPG



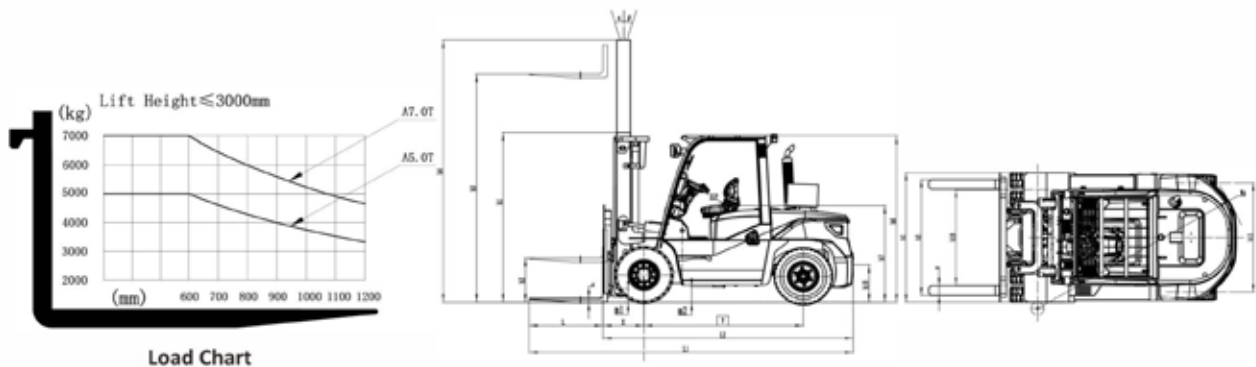
A series 4-Compact 5T Gasoline forklift

Type	Model	Max. fork height	Overall Height								Free lift				Load Distance		Tilt range		weight	
			Lowered		Extended				Without LBR		With LBR		4.5t	mini 5t	FWD	BWD	Load center (500mm)			
			4.5t	mini5t	Without LBR		With LBR		4.5t	mini5t	4.5t	mini5t					4.5t	mini5t		
					mm	mm	mm	mm					mm	mm	mm	mm			kg	kg
2FL	M300	3000	2250	2250	3855	3855	4260	4260	150	155	150	155	575	580	6	12	4500	5000		
	M330	3300	2400	2400	4155	4155	4560	4560	150	155	150	155	575	580	6	12	4500	5000		
	M350	3500	2500	2500	4355	4355	4760	4760	150	155	150	155	575	580	6	12	4500	5000		
	M370	3700	2600	2600	4605	4605	5010	5010	150	155	150	155	575	580	6	12	4500	5000		
	M400	4000	2800	2800	4855	4855	5260	5260	150	155	150	155	575	580	6	12	4250	4750		
	M450	4500	3050	3050	5355	5355	5760	5760	150	155	150	155	575	580	6	6	3800	4250		
	M500	5000	3300	3300	5855	5855	6260	6260	150	155	150	155	575	580	6	6	3150	3500		
	M550	5500	3600	3600	6355	6355	6760	6760	150	155	150	155	575	580	3	6	2800	2850		
2FFL	M600	6000	3850	3850	6855	6855	7260	7260	150	155	150	155	575	580	3	6	2500	2550		
	FM300	3000	2250	2250	3855	3855	4250	4250	1425	1430	1030	1030	585	590	6	12	4500	5000		
	FM330	3300	2400	2400	4155	4155	4550	4550	1575	1580	1180	1180	585	590	6	12	4500	5000		
	FM350	3500	2500	2500	4355	4355	4750	4750	1675	1680	1280	1280	585	590	6	12	4500	5000		
	FM375	3750	2625	2625	4605	4605	5000	5000	1800	1805	1405	1405	585	590	6	12	4500	5000		
3FFL	Fm400	4000	2800	2800	4855	4855	5250	5250	1975	1980	1580	1580	585	590	6	12	4250	4750		
	TFM400	4000	2110	2110	4880	4880	5265	5265	1275	1280	885	885	630	635	6	6	4000	4500		
	TFM435	4350	2235	2235	5230	5230	5615	5615	1395	1400	1010	1010	630	635	6	6	3800	4250		
	TFM450	4500	2285	2285	5385	5385	5770	5770	1450	1455	1060	1060	630	635	6	6	3600	4000		
	TFM480	4800	2385	2385	5680	5680	6070	6070	1545	1550	1160	1160	630	635	6	6	3350	3750		
	TFM500	5000	2485	2485	5880	5880	6265	6265	1645	1650	1260	1260	630	635	6	6	3050	3400		
	TFM540	5400	2610	2610	6280	6280	6660	6660	1770	1775	1385	1385	630	635	3	6	2550	2850		
	TFM800	6000	2850	2850	6875	6875	7260	7260	2010	2015	1625	1625	630	635	3	6	1950	2200		
TFM850	6500	3050	3050	7375	7375	7760	7760	2210	2215	1825	1825	630	635	3	6	1500	1700			



KUBOTA

Type:WJ13
 Model:WG3800 (Eu V)
 Rated output:54.6 kw/ 2400 rpm
 Rated torque:GAS 246.8 N m/ 1400 rpm
 PG 271.4 N m/ 1200 rpm^{*}
 No. of cylinder:4
 Bore x Stroke:100 x 120mm
 Displacement:3.769L
 Range:A series 4.0- x5.0 tonLPG



FORKLIFT FEATURES



Safety & Stability

Mast and Mast Hydraulic (View improvement) ✓



10%
↑
Visibility increased by 10%



Add counterweight grill, effective dustproof and internal protection, increased safety

Smart dashboard ✓



Replace the mechanical display with digital one, after entering the menu, the language types can be adjusted according to different customer requirements.

High Efficiency

Hydraulic system improvement
The overall cleanliness of the hydraulic system is improved by wash machine.



Oil tank wash machine



Use rough terrain truck hinge

Hood opening angle:
from old 60 degrees to 80 degrees, better accessibility to maintenance

Electrical elements improvement ✓

Waterproof plug-in, with ratings of Ip56. Plug-ins that reserve optional features are easy to install. (M series large tonnage many option not available i.e. handbrake alarm, seat belt sequence) while the new harness has reserved those functions. The corresponding electrical connector plug-ins are all updated to AMP plug-in, with better waterproofing.



Integrated electrical box, smaller in size than for the original M-Series, space-saving
The waterproof rating of the new electrical box is IP56 and the fire rating reaches V0.
The new electrical box integrates the DH296 box function and has a driving safety device.
Will improve vehicle safety performance (M-Series electrical boxes is without this device)



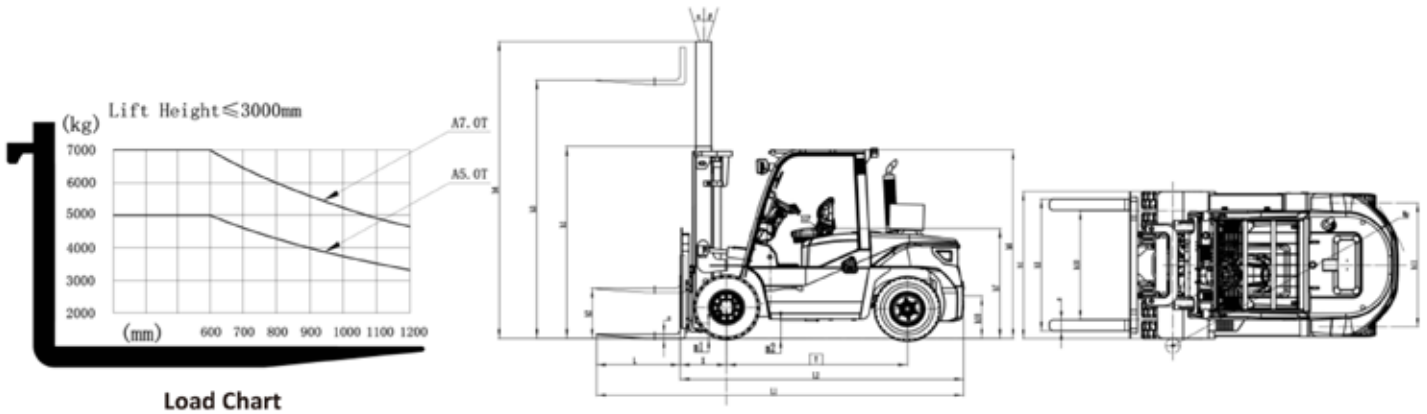
Hand brake use ratchet type (lighter and easier) ✓

A series 5-7T ICE Forklift

		FDTA50	FDTA70	FLTA50	FLTA50	FLTA70	FLTA70			
Distinguishing mark	1	Model								
	2	Type	Diesel	Diesel	LPG	LPG	LPG			
	3	Optional Type	WJ3/W(13)3/G(22)3	WJ3/W(13)3/G(22)3	AW(J2)3	AW(K2)3	AW(J2)3	AW(K2)3		
	4	Load capacity	kg	5000	7000	5000	5000	7000		
	5	Load centre	mm	600	600	600	600	600		
	6	Load distance	mm	590	590	590	590	590		
	7	Wheelbase	mm	2300	2300	2300	2300	2300		
Weight	8	Unladen weight	kg	8360	9650	8360	8360	9650		
	9	Axle loading	laden	Front	kg	12090	14900	12090	14900	
	10			Rear	kg	1270	1750	1270	1750	
	11	Unladen	Front	kg	4520	4050	3840	3840	4050	
12	Rear		kg	3830	5600	4520	4520	5600		
Tyres, chassis	13	Tyres: L = pneumatic, V = cushion, SE = superelastic	L	L	pneumatic	pneumatic	pneumatic	pneumatic		
	14	Tyre	Front	8.25-15-14PR	8.25-15-14PR	8.25-15-14PR	8.25-15-14PR	8.25-15-14PR		
	15		Rear	8.25-15-14PR	8.25-15-14PR	8.25-15-14PR	8.25-15-14PR	8.25-15-14PR		
	16	Number of wheels, front/rear (X = driven)		4X2	4X2	4X2	4X2	4x2	4x2	
	17	Track width	Front	mm	1489	1489	1489	1489		
	18		Rear	mm	1700	1700	1700	1700		
Dimensions	19	Mast tilt angle	F/R	Deg	10/12	10/12	10/12	10/12	10/12	
	20	Height of mast	lowered	mm	2500	2625	2500	2500	2625	
	21		extended	mm	4425	4425	205	205	205	
	22	Free lift height		mm	205	205	3000	3000	3000	
	23	Lift height		mm	3000	3000	4425	4425	4425	
	24	Overall dimensions	overhead guard height	mm	2450	2450	2450	2450	2450	
	25		Seat height	mm	1400	1400	1400	1400		
	26		Towing coupling height	mm	345	345	345	345		
	27		Overall length	mm	4715	4830	4715	4830		
	28		Length to face of forks	mm	3495	3610	3495	3610		
	29		Overall width	mm	2020	2020	2020	2020		
	30	Fork size (ISO2331)	LxWxT	mm	65/150/1220	65/150/1220	65/150/1220	65/150/1220	65/150/1220	
	31	Fork carriage width (DIN 15173, Class, A/B)			ISO 4A	ISO 4A	ISO 4A	ISO 4A	ISO 4A	
	32	Fork carriage width	mm	1845	1845	1845	1845	1845		
33	Ground clearance	bottom of mast	mm	200	200	200	200			
34		wheelbase centre	mm	230	230	230	230			
35	Working aisle width	1000 x 1200 crossways	mm	5030	5150	5260	5260	5370		
36	with pallet(Ast)*	800 x 1200 crossways	mm	4830	4950	5260	5260	5370		
37	Outer turning radius		mm	3250	3360	3250	3250	3360		
Performance data	38	Speed	Travel (Unladen/laden)	km/h	29/30	29/30	Shift 2: 30/31 Shift 1: 9/9	Shift 2: 30/31 Shift 1: 9/9	Shift 2: 30/31 Shift 1: 9/9	Shift 2: 30/31 Shift 1: 9/9
	39		Lifting (Unladen/laden)	mm/s	0.43/0.46	0.43/0.46	440/460	440/460	440/460	440/460
	40		Lowering (Unladen/laden)	mm/s	0.50/0.40	0.50/0.40	500/400	500/400	500/400	500/400
	41	Max. Drawbar pull (Unladen/laden)	KN	65/37	65/37	66000/41000	66000/41000	66000/41000	66000/41000	
	42	Max. Gradeability (Unladen/laden) @ 1.6km/h	%	33/20	30/20	28/20	28/20	21/20	21/20	
43	Service brake		hydraulic	hydraulic	hydraulic	hydraulic	hydraulic	hydraulic		
Additional data	44	Operating pressure (For attachments)	MPA	19.5	19.5	195	195	195	195	
	45	Fule tank capacity		140	140	140	140	140	140	
	46	Towing coupling	type DIN 15170		PIN	PIN	PIN	PIN	PIN	

A series 5-7T ICE Forklift

Type	Model	Max. fork height	Overall Height						Free lift		Load Distance	Tilt range		weight		
			Lowered		Extended				Without LBR	With LBR		FWD	BWD	Load center (600mm)		
					Without LBR		With LBR				5t-7t	5t-7t	5t-7t	5t-7t	5t	7t
			5t	7t	5t	7t	5t	7t	5t-7t	5t-7t					kg	kg
		mm	mm	mm	mm	mm	mm	mm	mm	mm	Deg	Deg	kg	kg		
2LFL	M300	3000	2500	2625	3955	4080	4425	4425	205	205	590	10	12	5000	7000	
	M330	3300	2650	2775	4255	4380	4725	4725	205	205	590	10	12	5000	7000	
	M350	3500	2750	2875	4455	4580	4925	4925	205	205	590	10	12	5000	7000	
	M375	3750	2875	3000	4705	4830	5175	5175	205	205	590	10	12	5000	7000	
	M400	4000	3050	3175	4975	5100	5425	5425	205	205	590	10	12	5000	7000	
	M425	4250	3175	3300	5225	5350	5675	5675	205	205	590	6	6	5000	7000	
	M450	4500	3300	3425	5475	5600	5925	5925	205	205	590	6	6	5000	7000	
	M475	4750	3425	3550	5725	5850	6175	6175	205	205	590	6	6	5000	7000	
	M500	5000	3550	3675	5975	6100	6425	6425	205	205	590	6	6	5000	7000	
	M550	5500	3850	3975	6525	6650	6925	6925	205	205	590	3	6	4750	6600	
M600	6000	4100	4225	7025	7150	7425	7425	205	205	590	3	6	4400	6400		
2FFL	FM300	3000	2625	2625	4110	4110	4405	4405	1555	1255	600	10	12	5000	7000	
	FM330	3300	2775	2775	4410	4410	4705	4705	1705	1405	600	10	12	5000	7000	
	FM350	3500	2875	2875	4610	4610	4905	4905	1805	1405	600	10	12	5000	7000	
	FM375	3750	3000	3000	4860	4860	5155	5155	1930	1630	600	10	12	5000	7000	
	FM400	4000	3175	3175	5110	5110	5405	5405	2105	1805	600	10	12	5000	7000	
3FFL	TFM400	4000	2505	2505	5080	5080	5405	5405	1460	1135	635	6	6	4500	6400	
	TFM435	4350	2630	2630	5430	5430	5755	5755	1585	1260	635	6	6	4500	6400	
	TFM450	4500	2680	2680	5580	5580	5905	5905	1635	1310	635	6	6	4500	6400	
	TFM480	4800	2780	2780	5880	5880	6205	6205	1735	1410	635	6	6	4500	6300	
	TFM500	5000	2880	2880	6080	6080	6405	6405	1835	1510	635	6	6	4500	6300	
	TFM540	5400	3005	3005	6480	6480	6805	6805	1960	1635	635	3	6	4300	6100	
	TFM600	6000	3305	3305	7080	7080	7405	7405	2260	1935	635	3	6	4000	5500	
	TFM650	6500	3530	3530	7580	7580	7905	7905	2485	2160	635	3	6	3500	4700	



HYSTER / YALE / MAXIMAL FACTORY TIMELINE

2005	Dec	Zhejiang Maximal Forklift Co., Ltd was officially established.
2006	Oct	M series forklifts displayed at the 100th Canton fair.
2007	Nov	Maximal phase I project of the new factory finished.
2008	Jan	Structure of electric forklift was further optimized.
	Nov	Maximal was appointed by the General Logistics Department of the People's Liberation Army(PLA) to be supplier for Military Equipment.
2009	Mar	4.0T&5.0T and 8.0-10.0T diesel forklift were launched to enrich M Series.
	May	Maximal started to prepare the R&D of 16.0-18.0T diesel forklift.
2010	Nov	The first 4.5T electric forklift and 25.0T heavy duty forklift were displayed on Shanghai CeMAT.
	Dec	Maximal and Military Transportation University reached
2012		Maximal was honored as "state-level high-tech enterprise".
2013	May	Maximal 2WD 2.5/3.5T Rough Terrain forklift was launched to the market.
	July	Maximal Empty Container Handler was officially developed.
2014	Jun	Maximal electric stackers & pallet trucks were put into market.
	Aug	Maximal 2WD Rough Terrain forklift were extended to 4.0/5.0T.
	Dec	Maximal phase II project was finished.
2015	May	Maximal 3.5T 4WD Rough Terrain forklift was successfully developed. First Reach Stacker successfully was sold in domestic market.
	July	Maximal won the Chinese well-known trademark.
2016	Oct	1.8-3.5T C. 4WD Hydraulic rough terrain forklift was successfully launched.
	July	3.5-4.5T Sider-loader forklift was lanuched; Electric forklift with lithium battery started to be developed; 1.6-2.5T A series Reach truck was lanuched.
2018	June	Hyster-Yale and Maximal officially completed its acquisition, Maximal began a new start.
	July	



The Forklift Company Limited
Units 1-4
Knowle Hill Business Park
Hurley
Atherstone
CV9 2JE

T: 01827 874728
 E: sales@theforkliftcompany.net
 www.theforkliftcompany.net
 Company Number: 06625806



MANUFACTURER'S ADDRESS

Hyster Yale Maximal Forklift Co Ltd
No.1 Jinxin Road
Lushan Industrial Area
Fuyang
Zhejiang
China

