



# **SAMUK ELECTRIC FORKLIFTS**

M SERIES 3-WHEEL FORKLIFT 1.6 - 2T

M SERIES REAR DRIVE 3-WHEEL FORKLIFT 1.6T

A SERIES 4-WHEEL 1.5 - 3.5T

A SERIES REACH TRUCK 1.5 - 2.5T

LITHIUM-ION

---

**SAMUK**

# OUR MANUFACTURER

**HYSTER YALE  
MAXIMAL  
FORKLIFT  
CO LTD.**

ZHEJIANG, CHINA



Our entire SAMUK forklift range is manufactured at the Hyster Yale Maximal factory.

Here is some information about our manufacturer:

Established in February 2006, Hyster Yale Maximal is situated in the Lushan Industry Area. They specialises in material handling equipment, design and manufacturing. The facility covers a total floor area of 133,334m<sup>2</sup> and boasts a production capacity of 30,000 units per year. Maximal have acquired 7 national invention patents and more than 70 utility model and appearance patents.

## STATE OF THE ART FACILITIES

Maximal houses the below state of the art facilities:

- Advanced Parts Processing Centre
- Robot Welding Equipment
- Automatic Hoist Conveyor Lines
- Coating Lines
- Assembly Lines
- Forklift Performance Test Lines
- Parts Test-Bed
- ERP Information Management System

## M SERIES INTRODUCTION

The M Series is the first generation forklift designed by the Maximal engineering team. The M Series features a world class design thanks to advanced technologies and superior componentry. With its striking appearance, safety and design, the M Series has attracted a worldwide audience.

## A SERIES INTRODUCTION

The new A Series forklifts are engineered to provide a higher level of comfort and safety for the driver. The A Series forklifts feature lower noise levels, less vibration and a higher level of safety. Every feature has been carefully designed to ensure an improved driving experience.





## SIR NEVILLE BOWMAN-SHAW

We are excited to reintroduce the original budget brand forklift back into the UK market - SAMUK.

Sir Neville Bowman-Shaw built a formidable brand in SAMUK in 1996 during its original guise and we are proud to be at the forefront of bringing this fantastic brand back to the UK market place.

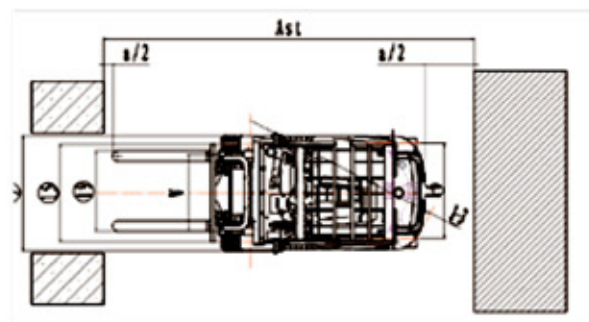
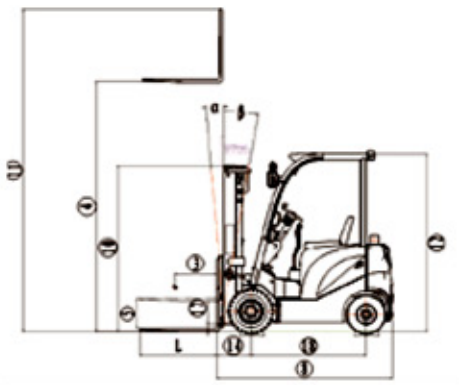


**SAMUK**



## A SERIES 1.5-3.5t 4-wheel electric forklift

		1 Model		FBA15-JZ	FBA18-JZ	FBA20-JZ	FBA25-JZ	FBA30-JZ	FBA35-JZ	
				kg	1500	1800	2000	2500	3000	3500
Specification	2	Rated capacity	kg	1500	1800	2000	2500	3000	3500	
	3	Load centre	mm	500						
	4	Lifting height	mm	3000						
	5	Free lifting height	mm	135		140		165		
	6	Fork size	T×W×L	35×100×920			40×122×1070		45×125×1070	50×130×1070
	7	Tilting angle	F/R (α°/β°)	Deg 5/10						
	Dimensions	8	Overall Dimension	Length (to forkface)	mm	2073	2118	2286.5	2548	2639
9		Width		mm	1120		1285	1285	1365	
10		Height when mast lowered		mm	2000		2015	2045	2120	
11		Height when mast extended		mm	3980		3990	4100	4140	
12		Height to safeguard		mm	2135		2152	2152	2138	
13		Turning radius	Min.	mm	1965		2080	2349	2405	
14		Front overhang/rear overhang		mm	410/317		454/390	475/402	495.5/453.5	
15		Tread	F/R	mm	955/920		1058/960	1065/980	1124/1010	
16		Ground clearance	Min.	mm	105		95	110	83	
17		Wheelbase		mm	1380		1485	1670	1690	
18		Fork spread	Min./Max.	mm	250/890		250/1000	250/1060		
19		Working aisle width with pallet(Ast)*	1000×1200 crossways	mm	3541		3732	4025	4101	
	800×1200 lengthways		mm	3741		3932	4225	4301		
Performance	Speed	21	Travel(Laden)	km/h	15		15	15		
		22	Travel(Unladen)	km/h	16		16	16		
		23	lifting (laden/unladen)	mm/s	290/440		280/440	280/400	280/384	
		24	lowering (laden/unladen)	mm/s	410/410		470/430	400/315		
	25	Gradeability	Laden	%	15		15	15		
			Unladen	%	15		15	15		
	27	Service weight	Include battery box	kg	2950	3230	3930	4100	4750	5253
28	Tyre	Front×2		6.00-9 10PR		23×9-10 16PR	23×9-10 16PR	23×10-12		
		Rear×2		5.00-8 8PR		18×7-8-14PR	18×7-8-14PR	200/50-10		
Driven	30	Motor	Driven motor	kw	K6.5		K8.5	K11.5		
			Pump motor	kw	K8.6		K11	K15		
	32	Battery	Standard(Option)	V/Ah	48/420		48/600	80/500		
	33	Controller	Type		AC	AC	AC	AC	AC	AC
			Manufacturer		ZAPI	ZAPI	ZAPI	ZAPI	ZAPI	ZAPI
34	Operating pressure for attachment		Mpa	14.5			17.5			



## A SERIES 1.5-1.8t forklift mast

Type	Model	Max. fork height	Overall height						Free lift		Front Overhang		Tilt range		Capacity	
			Lowered		Extended				Without backrest	with backrest	Front Overhang		FWD	BWD	load capacity at 500mm	
			1.5t	1.8t	Without backrest		With backrest				1.5t	1.8t			Single tyre	
					mm	mm	mm	mm	mm	mm			mm	mm	Deg	Deg
wide view 2-stage mast	M300	3000	1990	1990	3513	3513	3984	3984	135	135	410	410	5	10	1500	1800
	M330	3300	2140	2140	3813	3813	4284	4284	135	135	410	410	5	10	1500	1800
	M350	3500	2240	2240	4013	4013	4484	4484	135	135	410	410	5	10	1500	1800
	M370	3700	2340	2340	4213	4213	4684	4684	135	135	410	410	5	10	1460	1760
	M400	4000	2540	2540	4513	4513	4984	4984	135	135	410	410	5	10	1400	1700
	M450	4500	2790	2790	5013	5013	5484	5484	135	135	410	410	5	6	1300	1500
	M500	5000	3040	3040	5513	5513	5984	5984	135	135	410	410	5	6	1000	1100
	M550	5500	3340	3340	6013	6013	6484	6484	135	135	410	410	3	6	800	1000
full free 2-stage mast	FM300	3000	1990	1990	3513	3513	3984	3984	1486	1015	435	435	5	10	1500	1800
	FM330	3300	2140	2140	3813	3813	4284	4284	1636	1165	435	435	5	10	1500	1800
	FM350	3500	2240	2240	4013	4013	4484	4484	1736	1265	435	435	5	10	1500	1800
	FM370	3700	2340	2340	4213	4213	4684	4684	1836	1365	435	435	5	10	1410	1710
Full free 3-stage mast	TFM435	4350	1990	1990	4863	4863	5334	5334	1466	995	435	435	5	6	1250	1500
	TFM450	4500	2040	2040	5013	5013	5484	5484	1516	1045	435	435	5	6	1200	1400
	TFM480	4800	2140	2140	5313	5313	5784	5784	1616	1145	435	435	5	6	1100	1200
	TFM500	5000	2240	2240	5513	5513	5984	5984	1716	1245	435	435	5	6	950	1050
	TFM550	5500	2405	2405	6013	6013	6484	6484	1886	1415	435	435	3	6	750	850
	TFM600	6000	2590	2590	6513	6513	6984	6984	2066	1595	435	435	3	6	450	550
TFM650	6500	2805	2805	7013	7013	7484	7484	2281	1810	435	435	3	6	250	300	

## A SERIES 2-2.5t forklift mast

Type	Model	Max. fork height	Overall height						Free lift		Front Overhang		Tilt range		Capacity	
			Lowered		Extended				Without backrest	with backrest	Front Overhang		FWD	BWD	load capacity at 500mm	
			2t	2.5t	Without backrest		With backrest				2t	2.5t			Single tyre	
					mm	mm	mm	mm	mm	mm			mm	mm	Deg	Deg
wide view 2-stage mast	M300	3000	2030	2030	3615	3615	4015	4015	140	140	454	454	5	10	2000	2500
	M330	3300	2180	2180	3915	3915	4315	4315	140	140	454	454	5	10	2000	2500
	M350	3500	2280	2280	4115	4115	4515	4515	140	140	454	454	5	10	2000	2500
	M370	3700	2380	2380	4315	4315	4715	4715	140	140	454	454	5	10	2000	2500
	M400	4000	2580	2580	4615	4615	5015	5015	140	140	454	454	5	10	2000	2500
	M450	4500	2830	2830	5115	5115	5515	5515	140	140	454	454	5	6	1600	2100
	M500	5000	3080	3080	5615	5615	6015	6015	140	140	454	454	5	6	1200	1600
	M550	5500	3380	3380	6115	6115	6515	6515	140	140	454	454	3	6	950	1200
full free 2-stage mast	FM300	3000	2030	2030	3615	3615	4015	4015	1385	985	477	477	5	10	2000	2500
	FM330	3300	2180	2180	3915	3915	4315	4315	1535	1135	477	477	5	10	2000	2500
	FM350	3500	2280	2280	4115	4115	4515	4515	1635	1235	477	477	5	10	2000	2500
	FM370	3700	2380	2380	4315	4315	4715	4715	1735	1335	477	477	5	6	2000	2500
Full free 3-stage mast	TFM435	4350	2040	2040	4965	4965	5365	5365	1390	990	490	490	5	6	1750	2200
	TFM450	4500	2090	2090	5115	5115	5515	5515	1440	1040	490	490	5	6	1550	2000
	TFM480	4800	2190	2190	5415	5415	5815	5815	1540	1140	490	490	5	6	1250	1700
	TFM500	5000	2290	2290	5615	5615	6015	6015	1640	1240	490	490	5	6	1100	1500
	TFM550	5500	2455	2455	6115	6115	6515	6515	1765	1400	490	490	3	6	850	1100
	TFM600	6000	2640	2640	6615	6615	7015	7015	1990	1590	490	490	3	6	700	800
TFM650	6500	2855	2855	7115	7115	7515	7515	2205	1805	490	490	3	6	400	500	



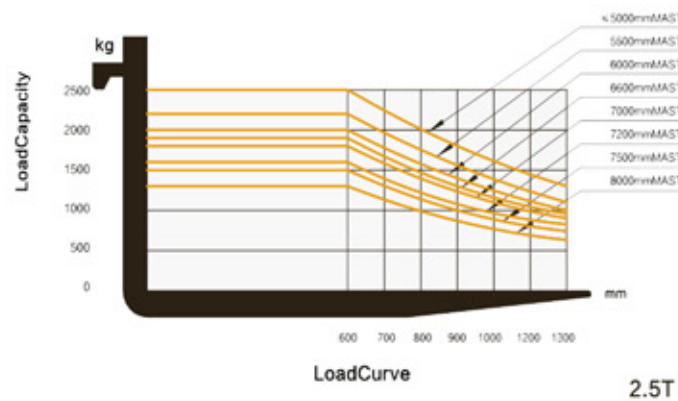
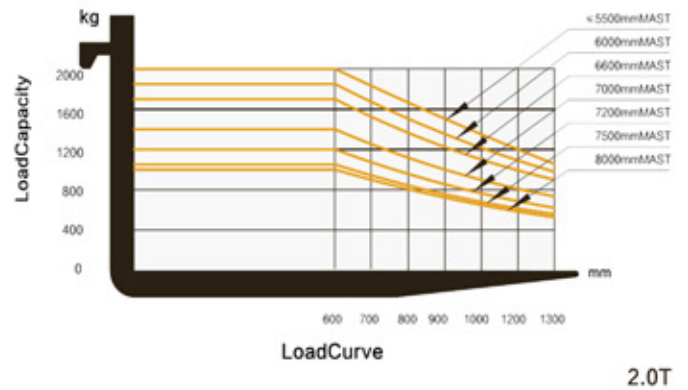
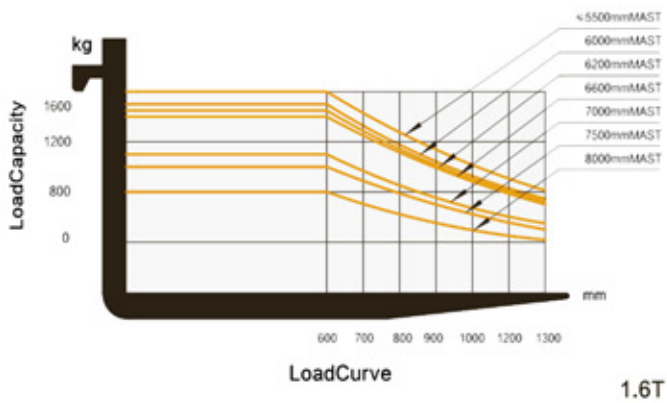
## A SERIES 3-3.5t forklift mast

Type	Model	Max. fork height	Overall height						Free lift				Front Overhang		Tilt range		Capacity	
			Lowered		Extended				Without backrest		with backrest		3t	3.5t	FWD	BWD	load capacity at 500mm	
			3t	3.5t	Without backrest		With backrest		3t	3.5t	Single tyre							
					mm	mm	mm	mm			mm	mm	mm	mm	kg	kg		
wide view 2-stage mast	M300	3000	2045	2120	3670	3740	4140	4140	165	170	165	170	475	495	5	10	3000	3500
	M330	3300	2195	2270	3970	4040	4440	4440	165	170	165	170	475	495	5	10	3000	3500
	M350	3500	2295	2370	4170	4240	4640	4640	165	170	165	170	475	495	5	10	3000	3500
	M370	3700	2395	2470	4370	4440	4840	4840	165	170	165	170	475	495	5	10	3000	3500
	M400	4000	2595	2670	4670	4740	5140	5140	165	170	165	170	475	495	5	10	2850	3300
	M450	4500	2845	2920	5170	5240	5640	5640	165	170	165	170	475	495	5	6	2550	2900
	M500	5000	3095	3170	5670	5740	6140	6140	165	170	165	170	475	495	5	6	2100	2400
	M550	5500	3395	3470	6170	6240	6640	6640	165	170	165	170	475	495	3	6	1700	1800
full free 2-stage mast	FM300	3000	2045	2120	3685	3725	4140	4140	1390	1415	935	1000	490	505	5	10	3000	3500
	FM330	3300	2195	2270	3985	4025	4440	4440	1540	1565	1085	1150	490	505	5	10	3000	3500
	FM350	3500	2295	2370	4185	4225	4640	4640	1640	1665	1185	1250	490	505	5	10	3000	3500
	FM370	3700	2395	2470	4385	4425	4840	4840	1740	1765	1285	1350	490	505	5	10	3000	3500
Full free 3-stage mast	TFM435	4350	2045	2120	5075	5160	5490	5490	1340	1330	925	925	500	522	5	6	2800	3100
	TFM450	4500	2095	2170	5225	5310	5640	5640	1390	1380	975	975	500	522	5	6	2500	2800
	TFM480	4800	2195	2270	5525	5610	5940	5940	1490	1480	1075	1075	500	522	5	6	2250	2500
	TFM500	5000	2295	2370	5725	5810	6140	6140	1590	1580	1175	1175	500	522	5	6	2050	2250
	TFM550	5500	2460	2535	6225	6310	6640	6640	1745	1735	1330	1405	500	522	3	6	1600	1700
	TFM600	6000	2645	2720	6725	6810	7140	7140	1940	1930	1525	1525	500	522	3	6	1200	1300
	TFM650	6500	2860	2935	7225	7310	7640	7640	2155	2145	1740	1740	500	522	3	6	700	800



## A SERIES 1.5-2.5t reach truck (Stand-on)

Specification	1	Model	FBRA15-JI	FBRA20-JI	FBRA25-JI	
	2	Power	Electirc			
	3	Operation	Stand-on			
	4	Rated load capacity	Q(kg)	1500	2000	2500
	5	Rated lift height	h3(mm)	3000	3000	3000
	6	Load centre	C(mm)	500	500	500
	7	Fork carriage tilt (Forward/Backward)	$\alpha/\beta$ (deg)	2° /4°	2° /4°	2° /4°
	8	Travel speed (Laden/Unladen)	(km/h)	10.0/11.0	10.0/11.0	10.0/10.5
	9	Lifting speed(Laden)	(mm/s)	290/420	280/410	260/400
	10	Max. gradeability(Laden)	(%)	10	10	10
	11	Min. turning radius	Wa(mm)	1580	1755	1930
	12	Reach distance	X(mm)	530	675	757
	13	Wheelbase	Y(mm)	1322	1497	1672
	14	Service brake		Electirc	Electirc	Electirc
Dimensions	15	Overall length	l1(mm)	2290	2290	2375
	16	Main body length	l7(mm)	1720	1895	2070
	17	Rear body length	l2(mm)	1220	1250	1345
	18	Overall width	b1(mm)	1090	1200	1200
	19	Height of mast,lowered	h1(mm)	2090	2090	2130
	20	Free lift height	h2(mm)	330	330	330
	21	Height of mast,extended	h4(mm)	3895	3895	3875
	22	Height of overhead guard	h5(mm)	2270	2270	2270
	23	Fork dimensions(T×W×L)	(mm)	40×122×1070	40×122×1070	40×122×1070
	24	Fork regulating range(Min/Max)	(mm)	270/714	270/714	270/714
	25	Min. ground clearance	h6(mm)	85	85	85
	26	Min. aisle width with pallet (1200L×1000W)	Ast1(mm)	2655	2770	2870
	27	Min. aisle width with pallet (800L×1200W)	Ast2(mm)	2710	2810	2910
	28	Service weight	(kg)	2500	3070	3520
Tyre	29	Drive motor	(Kw)	6.5	6.5	6.5
	30	Lift motor	(Kw)	11	11	11
	31	Battery:Voltage/capacity (5h)standard (option)	(V/Ah)	48/340	48/340	48/425
	32	Tyres		Polyurethane Solid tyre		
	33	Size of front tyre	(mm)	ϕ 250×85	ϕ 250×110	ϕ 250×110
	34	Size of driven tyre	(mm)	ϕ 343×140	ϕ 343×140	ϕ 343×140
	35	Tread, Front	(mm)	1004	1077	1077
	36	Tread, Rear		647		
Other	37	Turning system		Electirc		
	38	Speed control system		Inmotion		





# A SERIES 1.5-2.5t reach truck mast (Stand-on)

Type	Model	Max. fork height	Overall height									Free lift height						Front overhang			Capacity			
			Lowered			Extended						without bracket			with bracket			Load center (500mm)						
						Without backrest			With backrest															
			1.5T	2.0T	2.5T	1.5T	2.0T	2.5T	1.5T	2.0T	2.5T	1.5T	2.0T	2.5T	1.5T	2.0T	2.5T	1.5T	2.0T	2.5T	1.5T	2.0T	2.5T	
mm	mm	mm	mm	mm	mm	mm	mm	mm	mm	mm	mm	mm	mm	mm	mm	mm	mm	mm	mm	mm	mm	kg	kg	kg
2-stage	RM300	3000	2090	2090	2130	3615	3615	3595	3895	3895	3875	330	330	330	330	330	330	191	221	220	1500	2000	2500	
	RM360	3600	2390	2390	2430	4205	4205	4195	4485	4485	4475	330	330	330	330	330	330	191	221	220	1500	2000	2500	
	RM380	3800	2490	2490	2530	4405	4405	4395	4685	4685	4675	330	330	330	330	330	330	191	221	220	1500	2000	2500	
	RM400	4000	2640	2640	2680	4605	4605	4595	4885	4885	4875	330	330	330	330	330	330	191	221	220	1500	2000	2500	
	RM420	4200	2740	2740	2780	4805	4805	4795	5085	5085	5075	330	330	330	330	330	330	191	221	220	1500	2000	2400	
	RM450	4500	2890	2890	2930	5105	5105	5095	5385	5385	5375	330	330	330	330	330	330	191	221	220	1400	1900	2200	
	RM480	4800	3040	3040	3080	5405	5405	5395	5685	5685	5675	330	330	330	330	330	330	191	221	220	1350	1800	2100	
	RM500	5000	3140	3140	3180	5605	5605	5595	5885	5885	5875	330	330	330	330	330	330	191	221	220	1300	1700	2000	
	RM550	5500	3440	3440	3480	6105	6105	6095	6385	6385	6375	330	330	330	330	330	330	191	221	220	1100	1550	1800	
	RM600	6000	3690	3690	3730	6605	6605	6595	6885	6885	6875	330	330	330	330	330	330	191	221	220	1000	1400	1700	
3-stage	RTFM400	4000	1915	1915	1950	4605	4605	4675	4885	4885	4880	1355	1355	1270	1030	1030	1060	191	221	220	1500	2000	2500	
	RTFM420	4200	1980	1980	2015	4805	4805	4870	5085	5085	5075	1425	1425	1335	1095	1095	1125	191	221	220	1500	2000	2400	
	RTFM450	4500	2080	2080	2115	5105	5105	5170	5385	5385	5375	1520	1520	1435	1195	1195	1230	191	221	220	1400	1900	2200	
	RTFM480	4800	2180	2180	2215	5405	5405	5470	5685	5685	5675	1625	1625	1535	1295	1295	1330	191	221	220	1350	1800	2100	
	RTFM500	5000	2300	2300	2315	5605	5605	5670	5885	5885	5875	1740	1740	1635	1410	1410	1430	191	221	220	1300	1700	2000	
	RTFM520	5200	2365	2365	2385	5805	5805	5875	6085	6085	6080	1805	1805	1705	1480	1480	1495	191	221	220	1200	1600	1900	
	RTFM560	5600	2500	2500	2515	6205	6205	6270	6485	6485	6475	1940	1940	1835	1610	1610	1630	191	221	220	1100	1550	1800	
	RTFM600	6000	2630	2630	2650	6605	6605	6675	6885	6885	6880	2075	2075	1970	1745	1745	1760	191	221	220	1000	1400	1700	
	RTFM620	6200	2700	2700	2715	6805	6805	6870	7085	7085	7075	2140	2140	2035	1810	1810	1830	191	221	220	950	1350	1650	
	RTFM660	6600	2880	2880	2900	7205	7205	7280	7485	7485	7485	2280	2280	2220	1995	1995	2015	191	221	220	900	1200	1600	
	RTFM700	7000	3015	3015	3035	7605	7605	7680	7885	7885	7885	2415	2415	2355	2130	2130	2145	191	221	220	800	1100	1500	
	RTFM720	7200	3080	3080	3100	7805	7805	7880	8085	8085	8085	2480	2480	2420	2195	2195	2215	191	221	220	750	1050	1450	
	RTFM750	7500	3180	3180	3200	8105	8105	8180	8385	8385	8385	2580	2580	2520	2295	2295	2315	191	221	220	700	1000	1350	
	RTFM800	8000	3350	3350	3370	8605	8605	8680	8885	8885	8885	2750	2750	2685	2460	2460	2480	191	221	220	600	900	1200	

## M SERIES 1.6-2.0t 3-wheel electric forklift

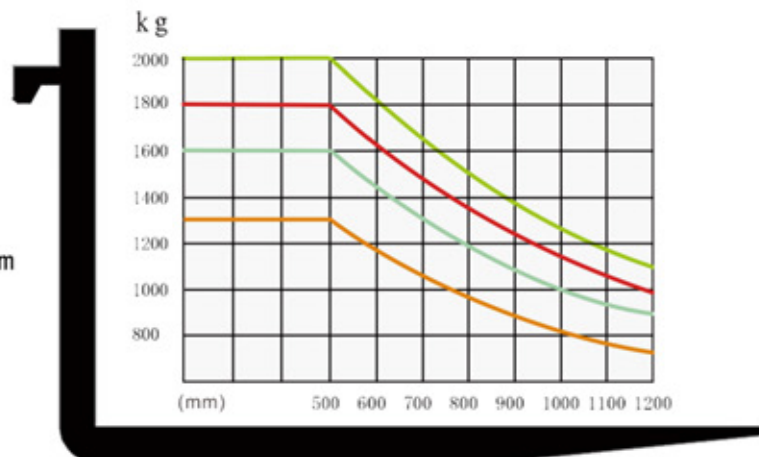
Specification	1	Model		FB16S-MJZ	FB18S-MJZ	FB20S-MJZ	
	2	Rated capacity	kg	1600	1800	2000	
	3	Load centre	mm	500	500	500	
	4	Lifting height	mm	3000	3000	3000	
	5	Free lifting height	mm	0	0	0	
	6	Fork size	T×W×L	mm	35×100×920	35×100×920	35×100×920
	7	Tilting angle	F/R (α°/β°)	Deg	6.5°/6.5°	6.5°/6.5°	6.5°/6.5°
Dimensions	8	Overall Dimension	Length (to forkface)	mm	1979	1979	2094
	9		Width	mm	1070	1070	1140
	10		Height when mast lowered	mm	1975	1975	1975
	11		Height when mast extended	mm	4010	4010	4010
	12		Height to safeguard	mm	1971	1971	2011
	13	Turning radius	Min.	mm	1643	1643	1758
	14	Front overhang		mm	371	371	371
	15	Tread	F/R	mm	924/186	924/186	942/186
	16	Ground clearance	Min.	mm	90	90	90
	17	Wheelbase		mm	1400	1400	1515
	18	Fork spread	Min./Max.	mm	200/890	200/890	200/890
	Performance	19	Working aisle width with pallet(Ast)*	1000×1200 crossways	mm	3340	3340
20		800×1200 lengthways		mm	3464	3464	3579
21		Speed	Travel(Laden)	km/h	13	13	13
22			Travel(Unladen)	km/h	13	13	13
23			Lifting(Laden)	mm/s	290	280	255
24			Lifting(Unladen)	mm/s	445	435	435
25		Gradeability	Laden	%	15	15	15
26			Unladed	%	15	15	15
27		Service weight	Include battery box	kg	3080	3140	3430
28		Tyre	Front×2		18×7-8	18×7-8	200/50-10
29	Rear×2			15×4 <sup>1/2</sup> -8	15×4 <sup>1/2</sup> -8	15×4 <sup>1/2</sup> -8	
Driven	30	Motor	Driven motor	kw	4×2	4×2	4×2
	31		Pump motor	kw	9.2	11	11
	32	Battery	Standard(Optional)	V/Ah	48/500	48/500	48/620
	33	Controller	Type		AC	AC	AC
	34		Manufacturer		ZAPI	ZAPI	ZAPI
	35	Operating pressure for attachment		Mpa	14.5	14.5	17.5

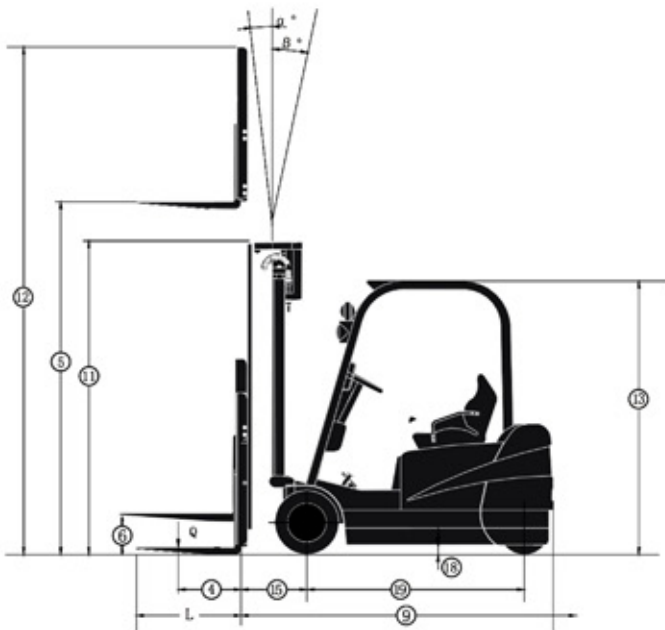


# M SERIES 1.6-2.0t 3-wheel electric forklift mast

Type	Model	Max. fork height	Overall height				Free lift		Front Overhang	Tilt range		Capacity		
			Lowered	Extended		Without backrest	with backrest	FWD		BWD	load capacity at 500mm			
				Without backrest	With backrest						Single tyre			
											1.6t	1.8t	2.0t	
mm	mm	mm	mm	mm	mm	mm	Deg	Deg	kg	kg	kg			
2-stage mast	BM250	2500	1725	3010	3480	0	0	376	6.5	6.5	1600	1800	2000	
	BM270	2700	1825	3210	3680	0	0	376	6.5	6.5	1600	1800	2000	
	BM300	3000	1975	3490	4010	0	0	376	6.5	6.5	1600	1800	2000	
	BM330	3300	2125	3790	4310	0	0	376	6.5	6.5	1600	1800	2000	
	BM350	3500	2225	3990	4510	0	0	376	6.5	6.5	1600	1800	2000	
	BM370	3700	2325	4190	4710	0	0	376	6.5	6.5	1600	1800	2000	
	BM400	4000	2525	4490	5010	0	0	376	3.5	5	1600	1800	2000	
	BM425	4250	2650	4760	5280	0	0	376	3.5	5	1500	1700	1900	
	BM450	4500	2775	4990	5510	0	0	376	3.5	5	1400	1600	1800	
	BM550	5500	3325	5990	6510	0	0	376	3.5	5	1150	1200	1300	
full free 2-stage mast	BFM250	2500	1725	3010	3465	1200	760	376	6.5	6.5	1600	1800	2000	
	BFM270	2700	1825	3210	3665	1300	860	376	6.5	6.5	1600	1800	2000	
	BFM300	3000	1975	3490	4010	1450	1010	376	6.5	6.5	1600	1800	2000	
	BFM330	3300	2125	3790	4310	1600	1160	376	6.5	6.5	1600	1800	2000	
	BFM350	3500	2225	3990	4510	1700	1260	376	6.5	6.5	1600	1800	2000	
	BFM370	3700	2325	4190	4710	1800	1360	376	6.5	6.5	1600	1800	2000	
	BFM400	4000	2525	4490	5010	2000	1560	376	3.5	5	1600	1800	2000	
Full free 3-stage mast	BTFM435	4350	1975	4860	5360	1425	995	376	3.5	5	1500	1700	1900	
	BTFM450	4500	2025	4990	5510	1475	1045	376	3.5	5	1400	1600	1800	
	BTFM480	4800	2125	5290	5810	1575	1145	376	3.5	5	1300	1500	1650	
	BTFM500	5000	2225	5490	6010	1675	1245	376	3.5	5	1250	1450	1500	
	BTFM550	5500	2390	5990	6510	1840	1410	376	3.5	5	1150	1200	1300	
	BTFM600	6000	2575	6490	7010	2025	1595	376	3.5	5	1050	1100	1200	
	BTFM650	6500	2790	6990	7510	2205	1775	376	3.5	5	900	950	1000	

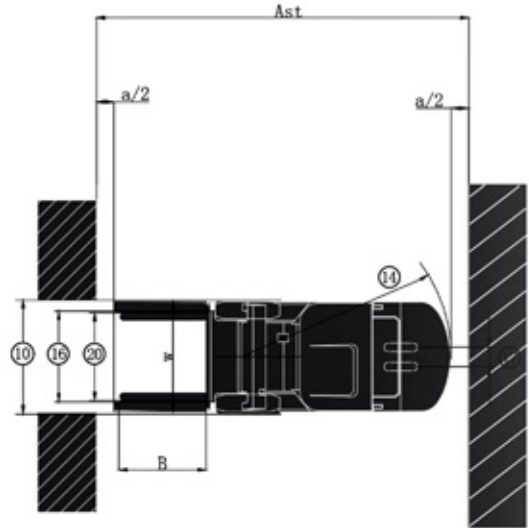
**Load Chart**  
LIFT HEIGHT ≤ 3000 mm





$a=200$  mm safety clearance

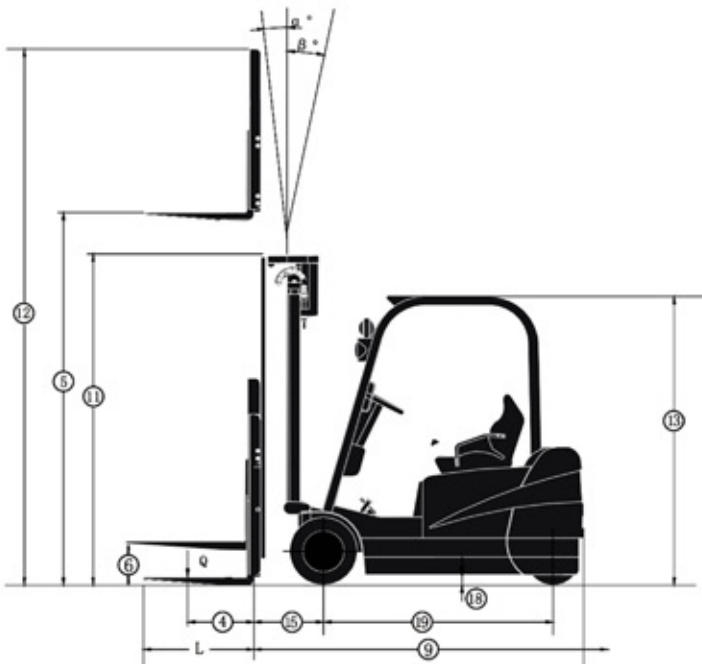
$$AST = a + 14 + 15 + \sqrt{W^2 + (B/2)^2}$$



3-WHEEL  
FORKLIFT  
1.6-2T  
**M SERIES**

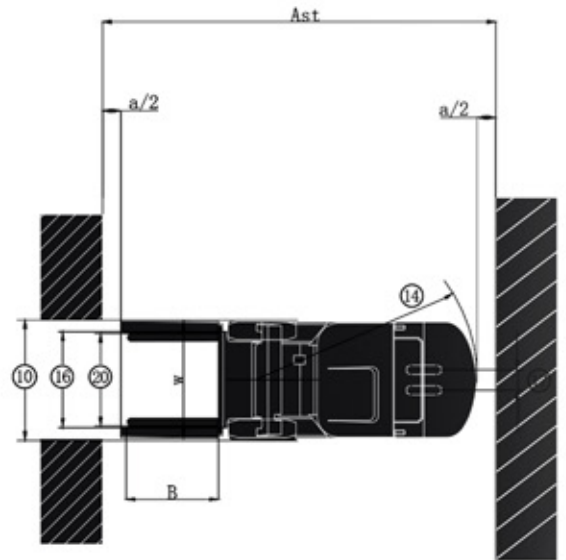






$a=200$  mm safety clearance

$$AST = a + 14 + 15 + \sqrt{W^2 + (B/2)^2}$$



REAR DRIVE  
3-WHEEL  
FORKLIFT 1.6T  
M SERIES



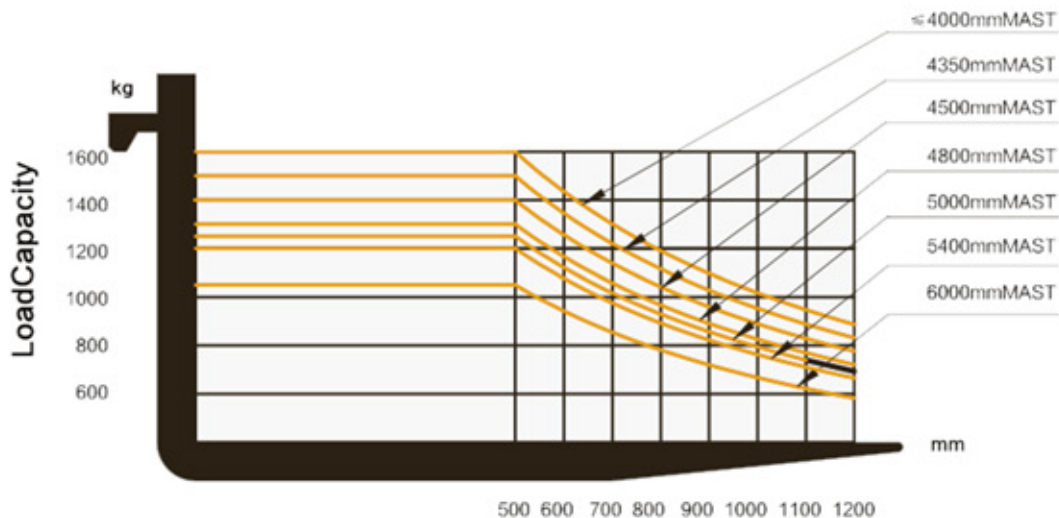
## M SERIES 1.6t rear drive 3-wheel electric forklift

Specification	1	Model		FB16S-MHJZ	
	2	Power		Electric	
	3	Rated capacity	kg	1600	
	4	Load centre	mm	500	
	5	Lifting height	mm	3000	
	6	Free lifting height	mm	0	
	7	Fork size	T×W×L	mm	920×100×35
Dimensions	8	Tilting angle	F/R (α°/β°)	Deg	3°/6°
	9	Overall Dimension	Length (to forkface)	mm	1919
	10		Width	mm	1078
	11		Height when mast lowered	mm	1975
	12		Height when mast extended	mm	4010
	13		Height to safeguard	mm	1952
	14	Turning radius		mm	1544
	15	Front overhang		mm	376
	16	Tread	F/R	mm	930/0
	17	Ground clearance Min.		mm	85
	18	Wheelbase		mm	1245
	19	Fork spread	Min./Max.	mm	200/890
	20	Working aisle width with pallet(Ast)*	1000×1200 crossways	mm	3245
	21		800×1200 lengthways	mm	3370
Performance	22	Speed	Travel(Laden)	km/h	12
	23		Travel(Unladen)	km/h	13
	24		Lifting(Laden)	mm/s	280
	25		Lifting(Unladen)	mm/s	440
	26	Gradeability	Laden	%	10
	27		Unladed	%	10
28	Service weight	Include battery box	kg	3240	
Driven	29	Tyre	Front×2		18×7-8
	30		Rear×1		18×7-8
	31	Motor	Driven motor	kw	4.5
	32		Pump motor	kw	11
	33	Battery	Standard(Optional)	V/Ah	48/400
	34	Operating pressure for attachment		Mpa	14.5



# M SERIES 1.6t rear drive 3-wheel electric forklift mast

Type	Model	Max. fork height mm	Overall height			Free lift		Front Overhang mm	Tilt range		Capacity
			Lowered mm	Extended		Without backrest mm	with backrest mm		FWD Deg	BWD Deg	load capacity at 500mm
				Without backrest mm	With backrest mm						Single tyre 1.6t kg
2-stage mast	BM300	3000	1975	3490	4010	0	0	376	6.5	6.5	1600
	BM330	3300	2125	3790	4310	0	0	376	6.5	6.5	1600
	BM350	3500	2225	3990	4510	0	0	376	6.5	6.5	1600
	BM370	3700	2325	4190	4710	0	0	376	6.5	6.5	1600
	BM400	4000	2525	4490	5010	0	0	376	3.5	5	1600
	BM450	4500	2775	4990	5510	0	0	376	3.5	5	1400
	BM500	5000	3025	5490	6010	0	0	376	3.5	5	1250
	BM550	5500	3325	5990	6510	0	0	376	3.5	5	1150
full free 2-stage mast	BFM300	3000	1975	3490	4010	1510	990	376	6.5	6.5	1600
	BFM330	3300	2125	3790	4310	1660	1140	376	6.5	6.5	1600
	BFM350	3500	2225	3990	4510	1760	1240	376	6.5	6.5	1600
	BFM370	3700	2325	4190	4710	1860	1340	376	6.5	6.5	1600
	BFM400	4000	2525	4490	5010	2060	1540	376	3.5	5	1600
Full free 3-stage mast	BTFM400	4000	1850	4490	5010	1385	865	376	3.5	5	1600
	BTFM435	4350	1975	4840	5360	1510	990	376	3.5	5	1500
	BTFM450	4500	2025	4990	5510	1560	1040	376	3.5	5	1400
	BTFM480	4800	2125	5290	5810	1660	1140	376	3.5	5	1300
	BTFM500	5000	2225	5490	6010	1760	1240	376	3.5	5	1250
	BTFM550	5500	2390	5990	6510	1925	1405	376	3.5	5	1150
	BTFM600	6000	2575	6490	7010	2110	1590	376	3.5	5	1050
	BTFM650	6500	2790	6990	7510	2325	1805	376	3.5	5	900



LoadCurve

# NEW POWER SOURCE: LITHIUM ION FORKLIFT



The Forklift Company are proud to offer our exclusive range of lithium-ion trucks. The evolution of battery technology and the implementation of electrification in forklifts is paving the way to a more environmentally conscious market. Many businesses are noticing savings in cost almost immediately with the switch to lithium-ion powered trucks. Here some of the reasons why our lithium-ion trucks may be the most cost effective and sustainable option for you:

### Avoid Fuel costs & Fuel Taxation

Lithium trucks are entirely fuel free so you do not have to pay pump prices for white diesel.

### Improved Energy Bills

Higher energy efficiency and faster charging means you will save time and money.

### Zero Battery Maintenance

No traditional maintenance. Watering or equalizing is not required for lithium-ion batteries.

### Longer Battery Lifespan

Lithium-ion batteries will last two to four times longer than a lead acid battery.

### Fast Charging

Charging time reduced to as little as 2-3 hours.

### Improved productivity

Longer run-times with absolutely zero decline in performance as the battery discharges.

### Less Environmental Impact

Reduction in battery disposal thanks to longer lifespan and zero emissions.



#### Compact body

energy density more than  
120W · h/kg



#### Operating temperature

Charge: 0-45 °C  
Discharge: -20-60 °C



#### Long service life

>2500 times (80% remaining capacity),  
the service life more than 5 years or  
10000 hours



#### 5 years guarantee



#### High charge efficiency

>97%



#### Impact of environment

zero pollution



#### Fast charging

2-hours quick charge,  
no memory effect.



#### Control system

With BMS management system, it can monitor the current, voltage, temperature, SOC and other conditions of each battery pack. With self-protection.



#### High safety and reliability



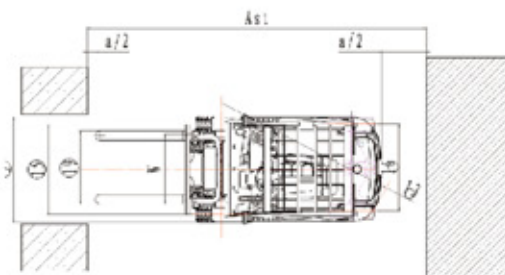
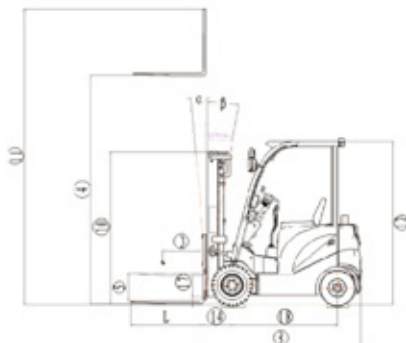
#### Maintenance free





## A SERIES 1.5-3.5t 4-wheel electric forklift/Li-Ion battery forklift

		Model		FBA15-JZ	FBA18-JZ	FBA20-JZ	FBA25-JZ	FBA30-JZ	FBA35-JZ	
				1500	1800	2000	2500	3000	3500	
Specification	1	Model		FBA15-JZ	FBA18-JZ	FBA20-JZ	FBA25-JZ	FBA30-JZ	FBA35-JZ	
	2	Rated capacity	kg	1500	1800	2000	2500	3000	3500	
	3	Load centre	mm	500						
	4	Lifting height	mm	3000						
	5	Free lifting height	mm	135		140		165		
	6	Fork size	T×W×L	35×100×920		40×122×1070		45×125×1070	50×130×1070	
	7	Tilting angle	F/R (α°/β°)	5/10						
Dimensions	8	Overall Dimension	Length (to forkface)	mm	2073	2118	2286.5	2548	2639	
	9		Width	mm	1120		1285	1285	1365	
	10		Height when mast lowered	mm	2000		2015	2045	2120	
	11		Height when mast extended	mm	3980		3990	4100	4140	
	12	Height to safeguard	mm	2135		2152	2152	2138		
	13	Turning radius	Min.	mm	1965		2080	2349	2405	
	14	Front overhang/rear overhang	mm	410/317		454/390		475/402	495.5/453.5	
	15	Tread	F/R	mm	955/920		1058/960	1065/980	1124/1010	
	16	Ground clearance	Min.	mm	105		95	110	83	
	17	Wheelbase	mm	1380		1485		1670	1690	
18	Fork spread	Min./Max.	mm	250/890		250/1000		250/1060		
19	Working aisle width with pallet(Ast)*	1000×1200 crossways	mm	3541		3732		4025	4101	
20		800×1200 lengthways	mm	3741		3932		4225	4301	
Performance	21	Speed	Travel(Laden)	km/h	15		15		15	
	22		Travel(Unladen)	km/h	16		16		16	
	23		lifting (laden/unladen)	mm/s	290/440		280/440		280/400	280/384
	24		lowering (laden/unladen)	mm/s	410/410		470/430		400/315	
	25	Gradeability	Laden	%	15		15		15	
	26		Unladen	%	15		15		15	
27	Service weight	Include battery box	kg	2950	3230	3930	4100	4750	5253	
28	Tyre	Front×2		6.00-9 10PR		23×9-10 16PR		23×9-10 16PR	23×10-12	
29		Rear×2		5.00-8 8PR		18×7-8-14PR		18×7-8-14PR	200/50-10	
Driven	30	Motor	Driven motor	kw	K6.5		K8.5		K11.5	
	31		Pump motor	kw	K8.6		K11		K15	
	32	Battery	Standard(OPTION)	V/Ah	48/420		48/600		80/500	
	33	Controller	Type		AC	AC	AC	AC	AC	AC
	34		Manufacturer		ZAPI	ZAPI	ZAPI	ZAPI	ZAPI	ZAPI
35	Operating pressure for attachment	Mpa	14.5			17.5				



## A SERIES 1.5-1.8t forklift mast

Type	Model	Max. fork height	Overall height						Free lift		Front Overhang		Tilt range		Capacity	
			Lowered		Extended				Without backrest	with backrest	1.5t	1.8t	FWD	BWD	load capacity at 500mm	
					Without backrest		With backrest								Single tyre	
			1.5t	1.8t	1.5t	1.8t	1.5t	1.8t	mm	mm	mm	mm	Deg	Deg	1.5t	1.8t
mm	mm	mm	mm	mm	mm	mm	mm	mm	mm	mm	mm	mm	Deg	Deg	kg	kg
wide view 2-stage mast	M200	2000	1500	1500	2513	2513	2984	2984	135	135	410	410	5	10	1500	1800
	M250	2500	1750	1750	3013	3013	3484	3484	135	135	410	410	5	10	1500	1800
	M300	3000	2000	2000	3513	3513	3984	3984	135	135	410	410	5	10	1500	1800
	M330	3300	2150	2150	3813	3813	4284	4284	135	135	410	410	5	10	1500	1800
	M350	3500	2250	2250	4013	4013	4484	4484	135	135	410	410	5	10	1500	1800
	M370	3700	2350	2350	4213	4213	4684	4684	135	135	410	410	5	10	1460	1760
	M400	4000	2550	2550	4513	4513	4984	4984	135	135	410	410	5	10	1400	1700
	M425	4250	2675	2675	4763	4763	5234	5234	135	135	410	410	5	6	1400	1600
	M450	4500	2800	2800	5013	5013	5484	5484	135	135	410	410	5	6	1300	1500
	M500	5000	3050	3050	5513	5513	5984	5984	135	135	410	410	5	6	1000	1100
	M550	5500	3350	3350	6013	6013	6484	6484	135	135	410	410	3	6	800	1000
M600	6000	3600	3600	6513	6513	6984	6984	135	135	410	410	3	6	500	600	
full free 2-stage mast	FM250	2500	1750	1750	3013	3013	3484	3484	1165	780	410	410	5	10	1500	1800
	FM300	3000	2000	2000	3513	3513	3984	3984	1415	1030	410	410	5	10	1500	1800
	FM330	3300	2150	2150	3813	3813	4284	4284	1565	1180	410	410	5	10	1500	1800
	FM350	3500	2250	2250	4013	4013	4484	4484	1665	1280	410	410	5	10	1500	1800
	FM370	3700	2350	2350	4213	4213	4684	4684	1765	1380	410	410	5	10	1410	1710
	FM400	4000	2550	2550	4513	4513	4984	4984	1965	1580	410	410	5	6	1350	1650
Full free 3-stage mast	TFM435	4350	2000	2000	4863	4863	5334	5334	1420	1030	410	410	5	6	1250	1500
	TFM450	4500	2050	2050	5013	5013	5484	5484	1470	1080	410	410	5	6	1200	1400
	TFM480	4800	2150	2150	5313	5313	5784	5784	1570	1180	410	410	5	6	1100	1200
	TFM500	5000	2250	2250	5513	5513	5984	5984	1670	1280	410	410	5	6	950	1050
	TFM540	5400	2375	2375	5913	5913	6384	6384	1795	1405	410	410	3	6	750	850
	TFM600	6000	2610	2610	6513	6513	6984	6984	2020	1630	410	410	3	6	450	550
	TFM650	6500	2805	2805	7013	7013	7484	7484	2235	1845	410	410	3	6	250	300

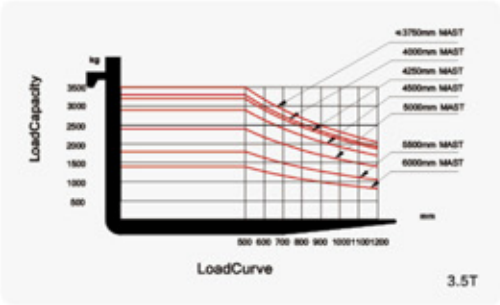
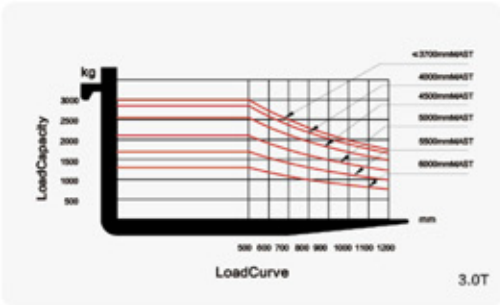
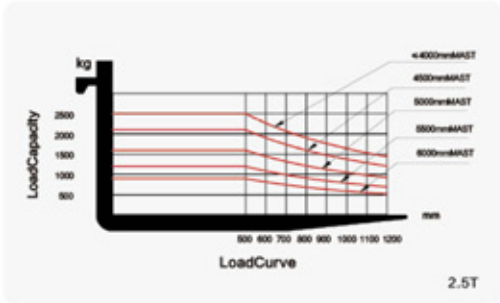
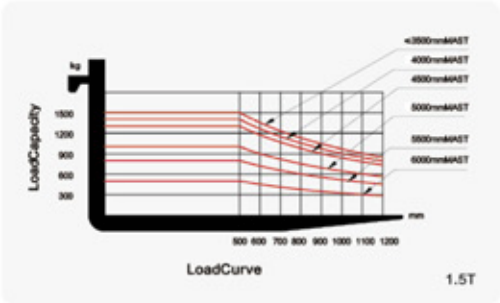
## A SERIES 2-2.5t forklift mast

Type	Model	Max. fork height	Overall height						Free lift		Front Overhang		Tilt range		Capacity	
			Lowered		Extended				Without backrest	with backrest	2t	2.5t	FWD	BWD	load capacity at 500mm	
					Without backrest		With backrest								Single tyre	
			2t	2.5t	2t	2.5t	2t	2.5t	mm	mm	mm	mm	Deg	Deg	2t	2.5t
mm	mm	mm	mm	mm	mm	mm	mm	mm	mm	mm	mm	Deg	Deg	kg	kg	
wide view 2-stage mast	M250	2500	1765	1765	3115	3115	3517	3517	140	140	454	454	5	10	2000	2500
	M300	3000	2015	2015	3616	3616	4017	4017	140	140	454	454	5	10	2000	2500
	M330	3300	2165	2165	3916	3916	4317	4317	140	140	454	454	5	10	2000	2500
	M350	3500	2265	2265	4115	4115	4517	4517	140	140	454	454	5	10	2000	2500
	M370	3700	2365	2365	4315	4315	4717	4717	140	140	454	454	5	10	2000	2500
	M400	4000	2565	2565	4616	4616	5017	5017	140	140	454	454	5	10	2000	2500
	M450	4500	2815	2815	5115	5115	5517	5517	140	140	454	454	5	6	1600	2100
	M500	5000	3065	3065	5615	5615	6017	6017	140	140	454	454	5	6	1200	1600
	M550	5500	3365	3365	6115	6115	6517	6517	140	140	454	454	3	6	950	1200
	M600	6000	3615	3615	6616	6616	7017	7017	140	140	454	454	3	6	800	900
full free 2-stage mast	FM250	2500	1765	1765	3115	3115	3517	3517	1170	770	477	477	5	10	2000	2500
	FM300	3000	2015	2015	3615	3615	4017	4017	1420	1020	477	477	5	10	2000	2500
	FM330	3300	2165	2165	3915	3915	4317	4317	1570	1170	477	477	5	10	2000	2500
	FM350	3500	2265	2265	4115	4115	4517	4517	1670	1270	477	477	5	10	2000	2500
	FM370	3700	2365	2365	4315	4315	4717	4717	1770	1370	477	477	5	6	2000	2500
	FM400	4000	2565	2565	4615	4615	5017	5017	1970	1570	477	477	5	6	2000	2500
Full free 3-stage mast	TFM435	4350	2015	2015	5021	5021	5366	5366	1390	990	490	490	5	6	1750	2200
	TFM450	4500	2065	2065	5171	5171	5516	5516	1440	1040	490	490	5	6	1600	2000
	TFM480	4800	2165	2165	5417	5417	5816	5816	1540	1140	490	490	5	6	1250	1700
	TFM500	5000	2265	2265	5617	5617	6016	6016	1640	1240	490	490	5	6	1100	1500
	TFM550	5500	2390	2390	6117	6117	6516	6516	1765	1400	490	490	3	6	900	1200
	TFM600	6000	2615	2615	6617	6617	7016	7016	1990	1590	490	490	3	6	700	800
	TFM650	6500	2840	2840	7171	7171	7516	7516	2205	1805	490	490	3	6	400	500



# A SERIES 3-3.5t forklift mast

Type	Model	Max. fork height	Overall height						Free lift				Front Overhang		Tilt range		Capacity	
			Lowered		Extended				Without backrest		with backrest		3t	3.5t	FWD	BWD	load capacity at 500mm	
			3t	3.5t	Without backrest		With backrest		3t	3.5t	3t	3.5t					Single tyre	
					mm	mm	mm	mm					mm	mm	mm	mm	kg	kg
wide view 2-stage mast	M250	2500	1795	1870	3140	3210	3640	3640	165	170	165	170	475	505	5	10	3000	3500
	M300	3000	2045	2120	3640	3710	4140	4140	165	170	165	170	475	505	5	10	3000	3500
	M330	3300	2195	2270	3940	4010	4440	4440	165	170	165	170	475	505	5	10	3000	3500
	M350	3500	2295	2370	4140	4210	4640	4640	165	170	165	170	475	505	5	10	3000	3500
	M370	3700	2395	2470	4340	4410	4840	4840	165	170	165	170	475	505	5	10	3000	3500
	M400	4000	2595	2670	4640	4710	5140	5140	165	170	165	170	475	505	5	10	2850	3300
	M450	4500	2845	2920	5140	5210	5640	5640	165	170	165	170	475	505	5	6	2550	2900
	M500	5000	3095	3170	5640	5710	6140	6140	165	170	165	170	475	505	5	6	2100	2400
	M550	5500	3395	3470	6140	6210	6640	6640	165	170	165	170	475	505	3	6	1700	1800
full free 2-stage mast	FM250	2500	1795	1870	3140	3200	3640	3600	1140	1165	685	750	490	505	5	10	3000	3500
	FM300	3000	2045	2120	3640	3700	4140	4100	1390	1415	935	1000	490	505	5	10	3000	3500
	FM330	3300	2195	2270	3940	4000	4440	4400	1540	1565	1085	1150	490	505	5	10	3000	3500
	FM350	3500	2295	2370	4140	4200	4640	4600	1640	1665	1185	1250	490	505	5	10	3000	3500
	FM370	3700	2395	2470	4340	4400	4840	4800	1740	1765	1285	1350	490	505	5	10	3000	3500
	FM400	4000	2595	2670	4640	4700	5140	5100	1940	1965	1485	1550	490	505	5	10	2850	3300
Full free 3-stage mast	TFM435	4350	2045	2120	5015	5100	5490	5500	1460	1460	925	925	500	522	5	6	2800	3100
	TFM450	4500	2095	2170	5165	5250	5640	5650	1510	1510	975	975	500	522	5	6	2500	2800
	TFM480	4800	2195	2270	5465	5550	5940	5950	1610	1610	1075	1075	500	522	5	6	2250	2500
	TFM500	5000	2295	2370	5665	5750	6140	6150	1710	1710	1175	1175	500	522	5	6	2100	2300
	TFM540	5400	2420	2435	6065	6150	6540	6550	1835	1835	1300	1300	500	522	3	6	1650	1800
	TFM600	6000	2645	2720	6665	6750	7140	7150	2060	2060	1525	1525	500	522	3	6	1200	1300
	TFM650	6500	2860	2935	7165	7250	7640	7650	2275	2275	1740	1740	500	522	3	6	700	800





# HYSTER / YALE / MAXIMAL FACTORY TIMELINE

2005	Dec	Zhejiang Maximal Forklift Co., Ltd was officially established.
2006	Oct	M series forklifts displayed at the 100th Canton fair.
2007	Nov	Maximal phase I project of the new factory finished.
2008	Jan	Structure of electric forklift was further optimized.
	Nov	Maximal was appointed by the General Logistics Department of the People's Liberation Army(PLA) to be supplier for Military Equipment.
2009	Mar	4.0T&5.0T and 8.0-10.0T diesel forklift were launched to enrich M Series.
	May	Maximal started to prepare the R&D of 16.0-18.0T diesel forklift.
2010	Nov	The first 4.5T electric forklift and 25.0T heavy duty forklift were displayed on Shanghai CeMAT.
	Dec	Maximal and Military Transportation University reached
2012		Maximal was honored as "state-level high-tech enterprise".
2013	May	Maximal 2WD 2.5/3.5T Rough Terrain forklift was launched to the market.
	July	Maximal Empty Container Handler was officially developed.
2014	Jun	Maximal electric stackers & pallet trucks were put into market.
	Aug	Maximal 2WD Rough Terrain forklift were extended to 4.0/5.0T.
	Dec	Maximal phase II project was finished.
2015	May	Maximal 3.5T 4WD Rough Terrain forklift was successfully developed. First Reach Stacker successfully was sold in domestic market.
	July	Maximal won the Chinese well-known trademark.
2016	Oct	1.8-3.5T C. 4WD Hydraulic rough terrain forklift was successfully launched.
	July	3.5-4.5T Sider-loader forklift was lanuched; Electric forklift with lithium battery started to be developed; 1.6-2.5T A series Reach truck was lanuched.
2018	June	<b>Hyster-Yale and Maximal officially completed its acquisition, Maximal began a new start.</b>
	June	



**The Forklift Company Limited**  
**Units 1-4**  
**Knowle Hill Business Park**  
**Hurley**  
**Atherstone**  
**CV9 2JE**

**T: 01827 874728**  
**E: sales@theforkliftcompany.net**  
**www.theforkliftcompany.net**  
**Company Number: 06625806**



## MANUFACTURER'S ADDRESS

**Hyster Yale Maximal Forklift Co Ltd**  
**No.1 Jinxin Road**  
**Lushan Industrial Area**  
**Fuyang**  
**Zhejiang**  
**China**



THE  
**FORKLIFT  
COMPANY**

**SAMUK**