

BF2500A 2500KG PALLET TRUCK

55 X 1150MM

Our BF range of pallet trucks offer's a durable and low maintenance product with a proven track record at an economic price.

Many features such as double fork rollers, Polyurethane wheels

release operation controls are included as standard.

The frames are made from a heavy grade steel construction and finished in an epoxy powder coated paint that offers greater Anti-corrosion resistance.

The trucks are TUV/CE tested to comply with the 98/37/EC Machinery Directive



Polyurethane

are generally the most popular wheel type and are a cast wheel with a polyurethane tyre around the outer, this wheel gives a better grip on smooth floors and is quieter running than Nylon. This softer wheel type also tends to be better for use on delicate flooring (finished floor surface).



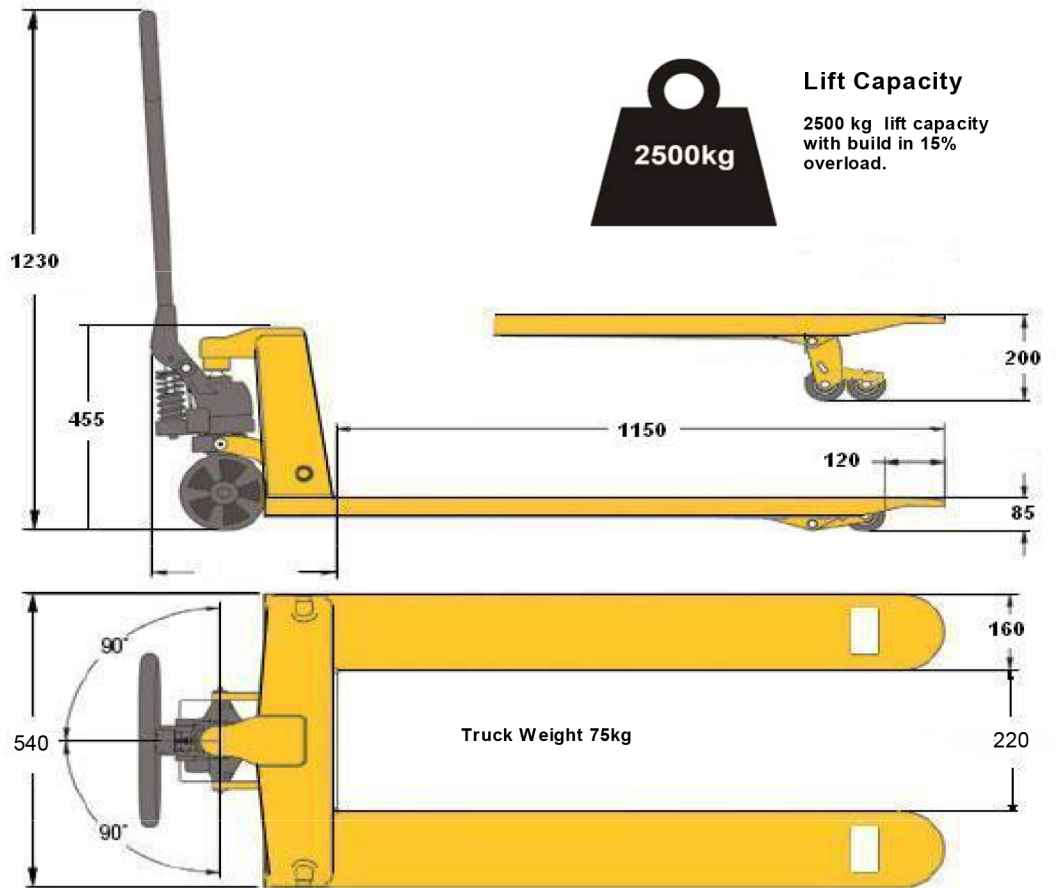
Pallet Types

Industry standard size for lifting open and closed bottom pallets of various sizes.



Parts

We have a full range of spare parts available for our AC range of pallet



All dimensions are in mm



PALLET TRUCK CHOCK



also consider purchasing our pallet truck chock

1-2 Day UK mainland delivery

1 year warrantee On pump unit

Double fork Rollers

Cirtificate available On request