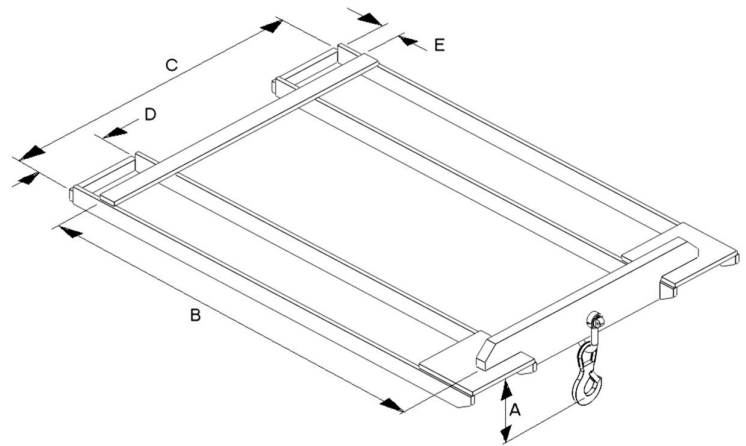




# Fixed Fork Mounted Hook (FMH)

Hugely popular, Fork Mounted Hooks can be fitted to your fork truck quickly and easily; simply, lift the front of the attachment where the hook is located until the attachment is approximately at 45 degrees. The attachment can then be slid on the forks towards the carriage. When the attachment is as far back as possible lower the front down onto the forks and the retaining bar will go up behind the forks and hence the hook is ready for use.

Fork Mounted Hooks are a simple and cost effective means of converting the fork lift truck into a mobile crane. Anchor bars at the back of the attachment lock behind the heels of the forks to prevent movement of the attachment.



Model Ref.	Weight	C of G
FMH 600-1.0	29kgs	438mm
FMH 900-1.0	33kgs	651mm
FMH 600-1.3	30kgs	438mm
FMH 900-1.3	33kgs	651mm
FMH 600-2.0	31kgs	438mm
FMH 900-2.0	34kgs	651mm
FMH 600-2.5	33kgs	438mm
FMH 900-2.5	36kgs	651mm

Model Ref.	Capacity	"A"	"B"	"C"	"D" Max Width	"E" Max Thickness
FMH 600-1.0	1000kgs	188mm	600mm	713mm	150mm	50mm
FMH 900-1.0	1000kgs	188mm	900mm	713mm	150mm	50mm
FMH 600-1.3	1300kgs	209mm	600mm	713mm	150mm	50mm
FMH 900-1.3	1300kgs	209mm	900mm	713mm	150mm	50mm
FMH 600-2.0	2000kgs	224mm	600mm	713mm	150mm	50mm
FMH 900-2.0	2000kgs	224mm	900mm	713mm	150mm	50mm
FMH 600-2.5	2500kgs	235mm	600mm	713mm	150mm	50mm
FMH 900-2.5	2500kgs	235mm	900mm	713mm	150mm	50mm